

Wafer Butterfly Valve

PN16/PN20/PN25/Class125/150/250

Fig. 2302-SS Disc. Fig. 2303-Bronze Disc.
Fig. 2304-DI Disc.

- **Valve Standard:** Comply with EN593/BS5155/MSS SP-67.
- **Working Pressure and Temperature**
Size 50 to 600, working pressure PN16/Class125.
Size 50 to 300, working pressure PN20/Class150.
Size 50 to 300, working pressure PN25/Class250.
Temperature from -10°C to 120°C for EPDM liner.
Temperature from -10°C to 82°C for NBR liner.
Temperature from -10°C to 150°C for Viton liner.
- **Top Flange:** Comply with ISO5211/1.
- **Flange Type:** EN1092-2 PN10/PN16/PN25, ANSI B16.1 Class125, ANSI B16.2 Class250, BS10 Table D/E, JIS 10K/16K.
- **Operator:** Handle or gear operator.
- **WRAS approved.**
- **Materials Specification**

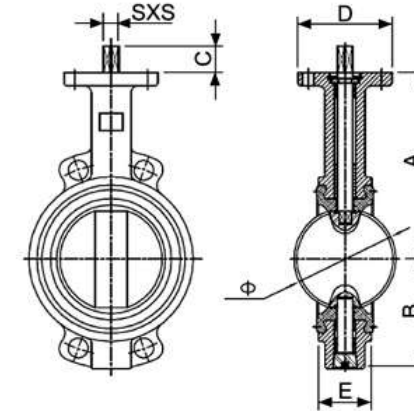


WRAS

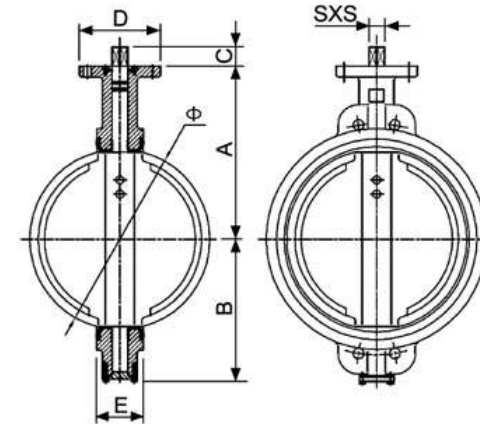
Part Name	Material	EN Spec.	ASTM Spec.
Body*	Cast Iron	EN-JL1040	A126 Class B
Shaft	Stainless Steel	BS970 420S37	AISI 420
Disc	Stainless Steel	BS970 304S15	A351 CF8
	Bronze	EN1982 CC491K	B62 C83600
	Ductile Iron Chrome Plated or FBE Coated	EN-JS1050	A536 65-45-12
Bushing	PTFE	Commercial	Commercial
Liner	EPDM/NBR/Viton	Commercial	Commercial
O-Ring	EPDM/NBR/Viton	Commercial	Commercial

● Dimensions (mm)

Size	50	65	80	100	125	150	200	250	300	350	400	450	500	600	
A	161	175	181	200	215	225	241	296	336	368	400	422	480	562	
B	80	91	95	115	134	138	174	198	234	288	315	340	388	450	
C	30	30	30	30	30	30	30	30	30	45	45	45	45	45	
D	90	90	90	90	90	90	125	125	125	150	175	175	210	210	
E	43	45	46	51.5	56	56.5	60	68.5	79.5	78	88	109	127	154	
Φ	56.8	71.5	83	101.5	127.8	151.1	200.5	251.3	300.5	335.5	393.5	443.5	500.5	600.8	
SxS	11X11			14X14			17X17			22X22			27X27		Φ48



Size 50-300



Size 350-600

Note*: Body material should be ductile iron when valve pressure rating is PN20/PN25 or Class150/250.